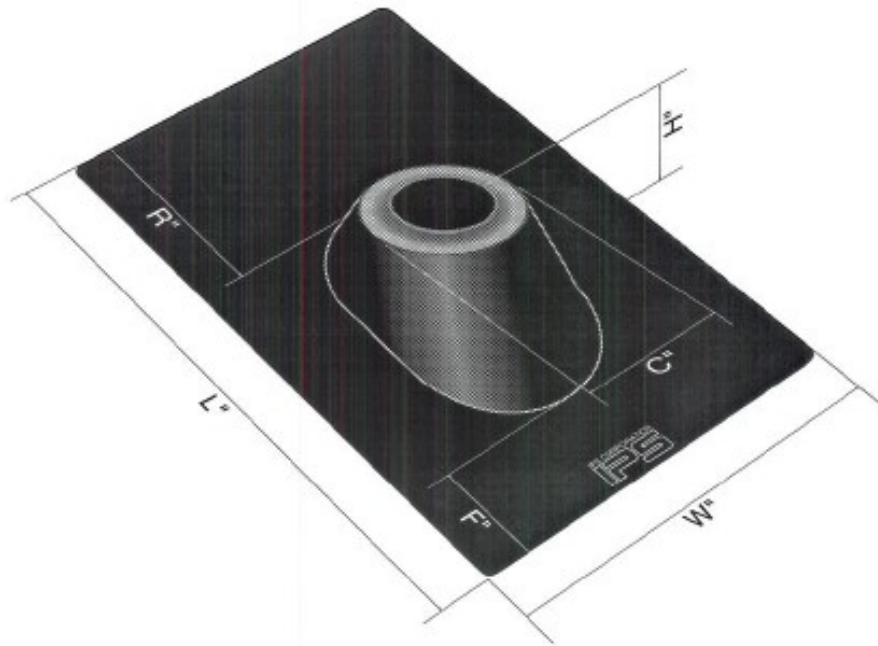


**SPECIFICATION:**

Furnish and install hard plastic base roof vent flashing with elastomer collar. Unit shall be Water-Tite item number checked below as manufactured by IPS Corporation, as per corresponding dimensional characteristics, or equivalent. *(Do not use Petroleum based mastics, sealing compounds, or paints on collar portion of all flashings, on all hardbase, flexible, or rain collars.)*



Florida Building Code Approved  
#FL3066-R2

Product Code	Model	Vent Size	Dim. W	Dim. L	Dim. R	Dim. F	Dim. C	Dim. H
81800	FB1	1 ¼" or 1 ½"	9"	11 ⅜"	3 ⅜"	2 ⅝"	3 ¼"	2"
81805	FB2	2"	9"	11 ⅜"	3 ⅜"	2 ⅝"	3 ¼"	2"
81810	FB3	3"	10"	13 ¼"	4 ¼"	2 ½"	4 ¼"	2 ½"
81815	FB4	4"	12"	14 ¾"	4 ¼"	2 ⅜"	5"	2 ¾"
89060	FB420	4"	20"	20"	5 ¾"	5 ⅝"	5"	2 ¾"