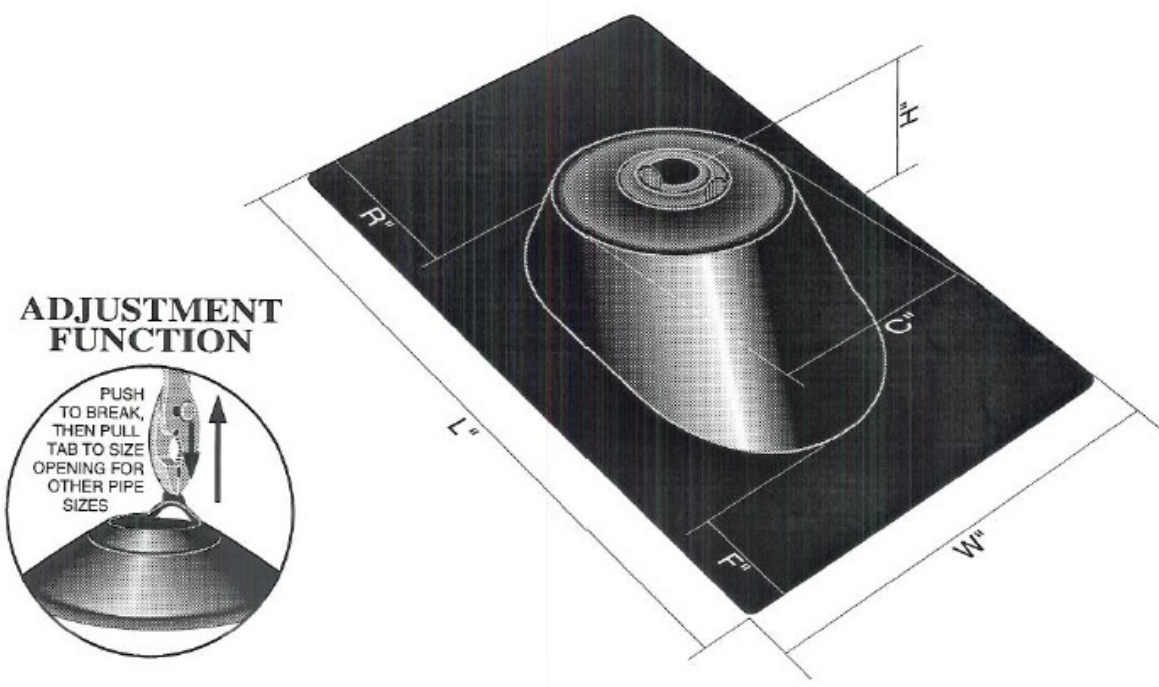


SPECIFICATION:

Furnish and install all flexible roof flashing with multi-size elastomer collar. Unit shall be Water-Tite item number checked below as manufactured by IPS Corporation, as per corresponding dimensional characteristics, or equivalent. *(Do not use Petroleum based mastics, sealing compounds, or paints on collar portion of all flashings, on all hardbase, flexible, or rain collars.)*



Florida Building Code Approved
#FL3066-R2

Product Code	Model	Vent Size	Dim. W	Dim. L	Dim. R	Dim. F	Dim. C	Dim. H
81705	FB31	1 ¼" - 3"	10"	13 ¼"	4 ¼"	2 ½"	4 ¼"	2 ½"
81707	FB34	3" - 4"	12"	14 ¾"	4 ¼"	2 ⅜"	5"	2 ¾"
81708	FB3420	3" - 4"	20"	20"	5 ¾"	5 ⅝"	5"	2 ¾"