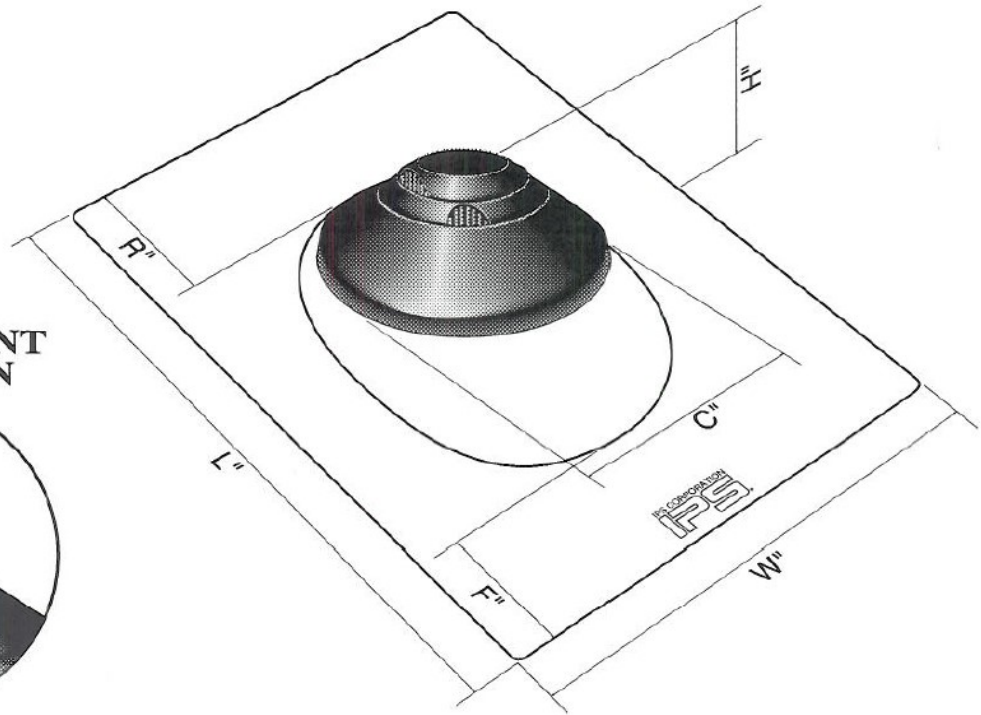
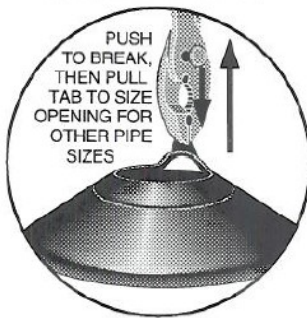


**SPECIFICATION:**

Furnish and install roof vent flashing with 25 mil. aluminum base, fitted with multi-size elastomer collar. Unit shall be Water-Tite item number checked below as manufactured by IPS Corporation, as per corresponding dimensional characteristics, or equivalent. *(Do not use Petroleum based mastics, sealing compounds, or paints on collar portion of all flashings, on all hardbase, flexible, or rain collars.)*

**ADJUSTMENT  
FUNCTION**



Florida Building Code Approved  
#FL3066-R2

Product Code	Model	Vent Size	Dim. W	Dim. L	Dim. R	Dim. F	Dim. C	Dim. H
81715	AB31	1 ¼" - 3"	10 ¾"	14 ½"	2 ⅝"	2 ⅜"	5 ½"	2 ⅛"
81717	AB34	3" - 4"	12"	16"	3 ¾"	2 ¾"	6 ½"	2 ¼"
81718	AB3118	1 ¼" - 3"	18"	18"	5 ⅜"	5 ⅛"	5 ½"	2 ⅛"
81719	AB3418	3" - 4"	18"	18"	4 ¾"	3 ¾"	6 ½"	2 ¼"