

# SPECIFICATION SUBMITTAL SHEET



## Roof Drain – Cast Iron with Dome

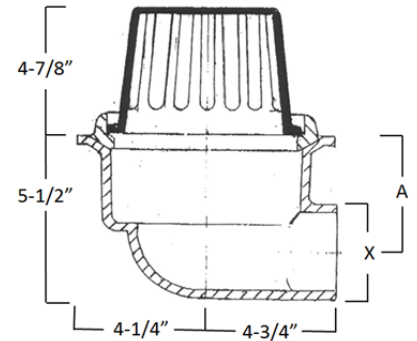
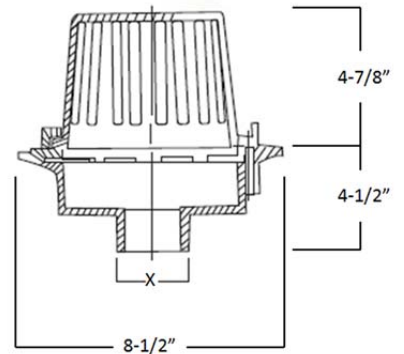
Job Name: \_\_\_\_\_ Contractor: \_\_\_\_\_  
 Job Location: \_\_\_\_\_ Approval: \_\_\_\_\_  
 Engineer: \_\_\_\_\_ Contractor's PO#: \_\_\_\_\_  
 Approval: \_\_\_\_\_ Representative: \_\_\_\_\_

**Specifications**

**Series 570/580  
Cast Iron Roof Drain with Dome**

Available in 2", 3" and 4" No Hub Outlet

Available Bottom Outlet or Side Outlet  
Drain



Select Part# Below for Style/Size/Finish of Product Specified:

√	Qty	Model#	Part #	No Hub Outlet (X)	Type	"A" Dimension (Side Outlet)
		ABA573	60213	3"	Bottom Outlet	N/A
		ABA574	60214	4"	Bottom Outlet	N/A
		ABA582	60215	2"	Side Outlet	3-7/8"
		ABA583	60216	3"	Side Outlet	3-7/8"
		ABA584	60217	4"	Side Outlet	3-5/16"

