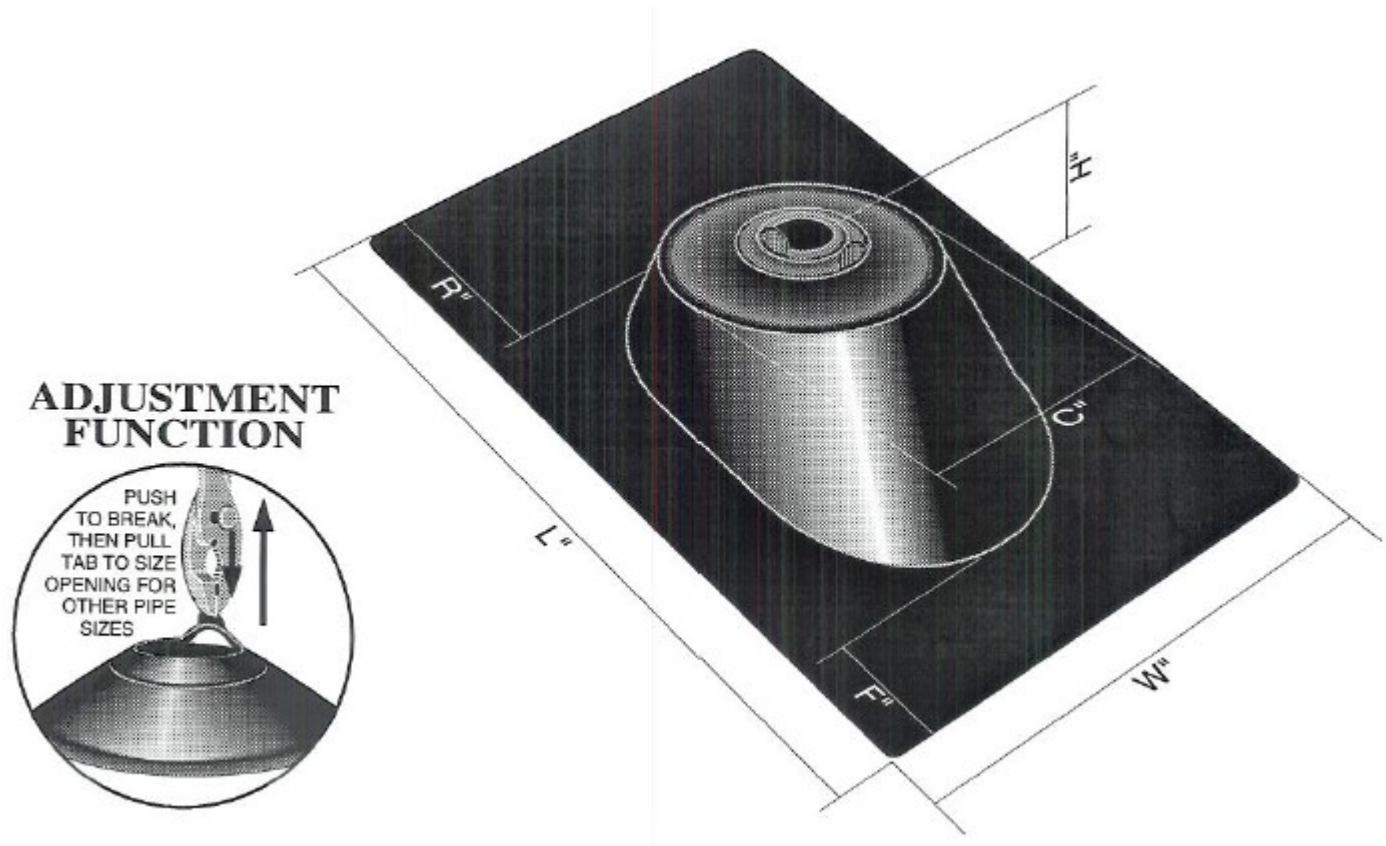


Hard Base—Multi-Size Roof Flashing

SPECIFICATION:

Furnish and install hard plastic base roof vent flashing with adjustable, multi-size elastomer collar. Unit shall be Water-Tite item number checked below as manufactured by IPS Corporation, as per corresponding dimensional characteristics, or equivalent. *(Do not use Petroleum based mastics, sealing compounds, or paints on collar portion of all flashings, on all hardbase, flexible, or rain collars.)*



Florida Building Code Approved
#FL3066-R2

Product Code	Model	Vent Size	Dim. W	Dim. L	Dim. R	Dim. F	Dim. C	Dim. H
81700	HB31	1 ¼" - 3"	11 ⅞"	15"	3 ½"	2 ½"	5 ⅜"	2 ⅞"
81702	HB34	3" - 4"	12"	15 ½"	3 ⅜"	2 ⅞"	6 ¼"	2 9/10"